

- NOTES:
1. MATERIAL - PP6.
 2. ALL DIMENSIONS ARE IN MILLIMETERS.
 3. TOLERANCES - X.X=±0.25
- X.XX=±0.13
UNLESS OTHERWISE SPECIFIED.
 4. ESD - SURFACE RESISTIVITY
- 10⁵ TO 10¹¹ OHMS/SQ.
 5. FOR PACKAGE - 3.4 MM THICKNESS.
 6. PART NO. : ND 3232 3.4 0308 6 REV.A
(PLEASE INDICATE ON PURCHASE ORDER).

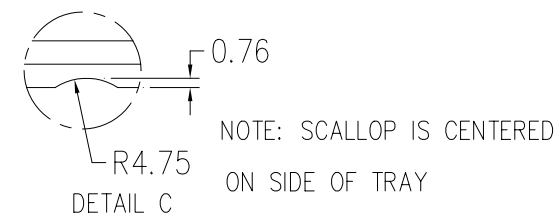
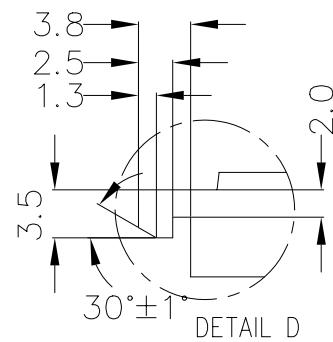
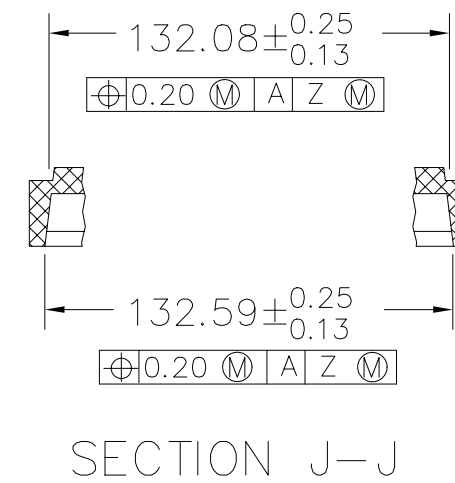
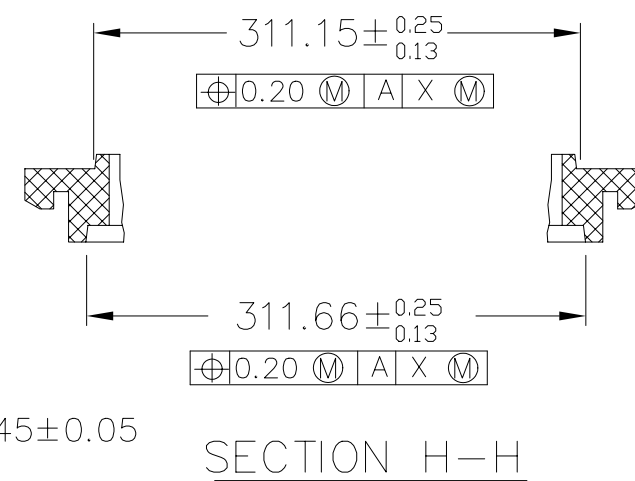
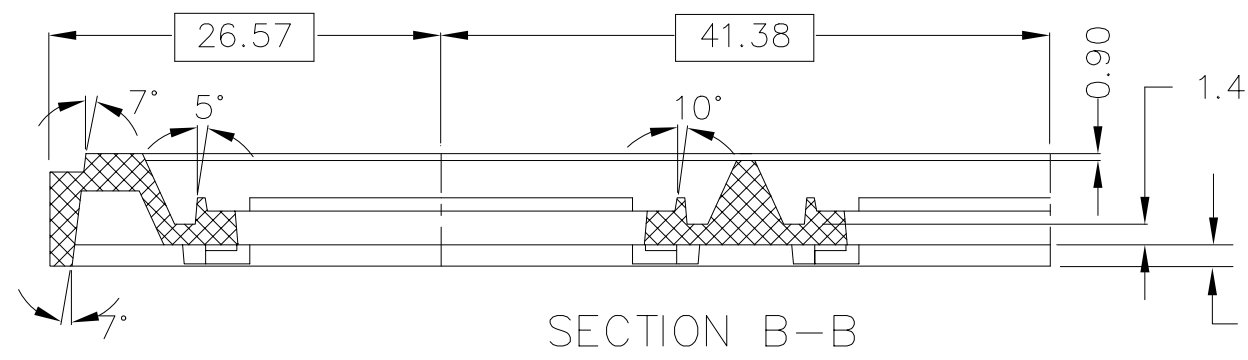
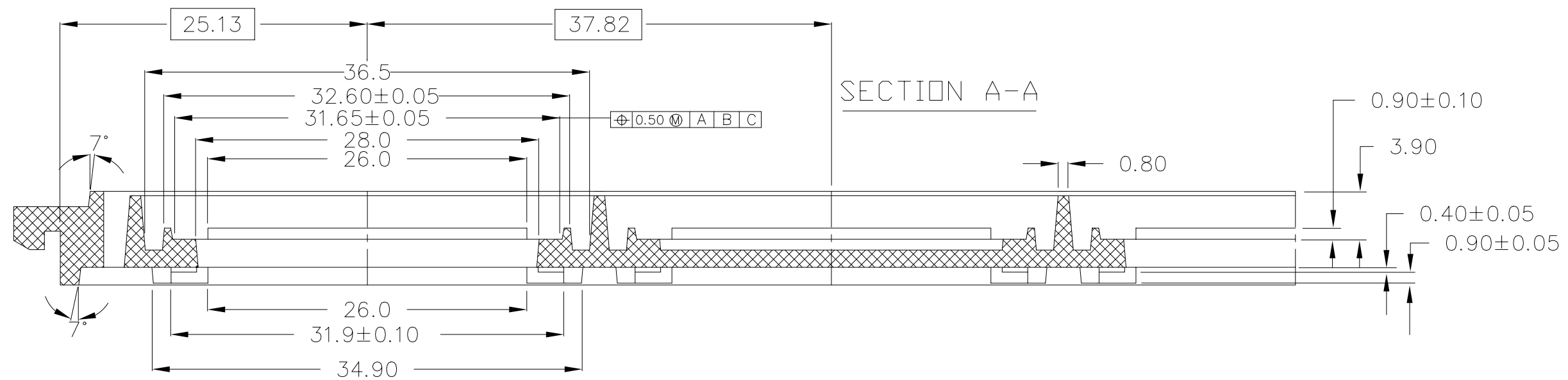


14	P-00945	CHANGE TEMPERATURE	26 APR 99
13	P-00916	CHANGE SURFACE RESISTIVITY	1 FEB 99
12	P-00646	CHANGE POSITION TOL	9 OCT 97
11	P-00576	CHANGE WALL-TO-WALL & BOTTOM RIDGE DIM	30 SEP 96
10	P-00444	CHANGE "LOW TEMP." TO "75°C MAX."	13 JAN 95
9	P-00414	ADD TOP OF TRAY TO TOP OF WALL DIM.	15 DEC 94
REV.NO.	ECN #	DESCRIPTION	DATE

THIS DOCUMENT CONTAINS INFORMATION PROPRIETARY TO PEAK PLASTIC & METAL PRODUCTS INTERNATIONAL LIMITED. REPRODUCTION, DISCLOSURE OR USE OF THIS DOCUMENT IS EXPRESSLY PROHIBITED EXCEPT IF OTHERWISE AGREED UPON IN WRITING.

DRAWN BY : NANCY	PAGE 1 OF 2
CHECKED BY :	DATE : 26 APR 99
APPROVED BY :	DATE : 26 APR 99
APPROVED BY :	DATE : 26 APR 99
DO NOT SCALE DRAWING	CODE : CSA00527


CUSTOMER :	PEAK
TITLE :	ND 3232 3.4 0308 6 REV.A
DWG NO.:	ND 3232 3.4 0308 6 REV.A
	REV. 14



REV.NO.	ECN #	DESCRIPTION	DATE
14	P-00945	CHANGE TEMPERATURE	26 APR 99
13	P-00916	CHANGE SURFACE RESISTIVITY	1 FEB 99
12	P-00646	CHANGE POSITION TOL	9 OCT 97
11	P-00576	CHANGE WALL-TO-WALL & BOTTOM RIDGE DIM	30 SEP 96
10	P-00444	CHANGE "LOW TEMP." TO "75°C MAX."	13 JAN 95
9	P-00414	ADD TOP OF TRAY TO TOP OF WALL DIM.	15 DEC 94

THIS DOCUMENT CONTAINS INFORMATION PROPRIETARY TO PEAK PLASTIC & METAL PRODUCTS INTERNATIONAL LIMITED. REPRODUCTION, DISCLOSURE OR USE OF THIS DOCUMENT IS EXPRESSLY PROHIBITED EXCEPT IF OTHERWISE AGREED UPON IN WRITING.

DRAWN BY : NANCY	PAGE 2 OF 2
CHECKED BY :	DATE : 26 APR 99
APPROVED BY :	DATE : 26 APR 99
APPROVED BY :	DATE : 26 APR 99
DO NOT SCALE DRAWING	CODE : CSA00527


PEAK PLASTIC & METAL PRODUCTS INT'L LTD.

CUSTOMER : *PEAK*

TITLE : ND 3232 3.4 0308 6 REV.A

DWG NO.:ND 3232 3.4 0308 6 REV.A REV. 14